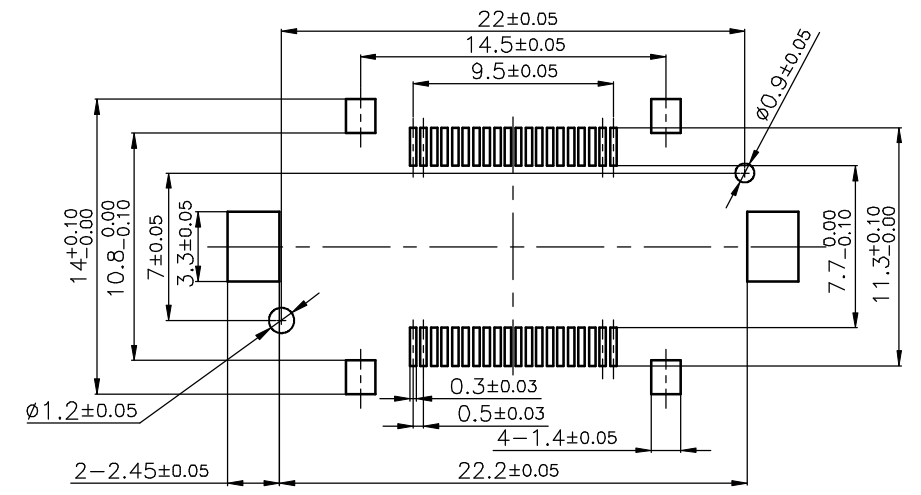
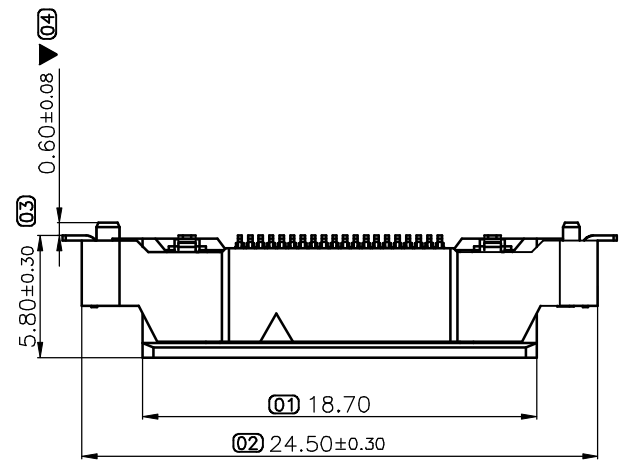


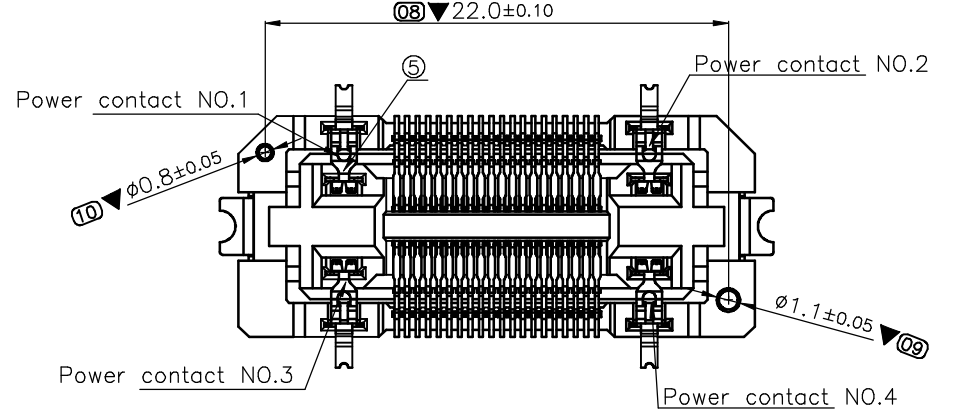
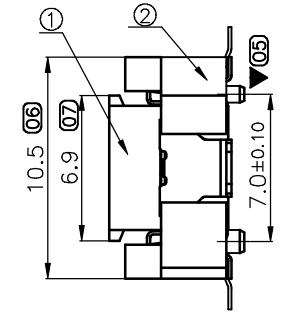
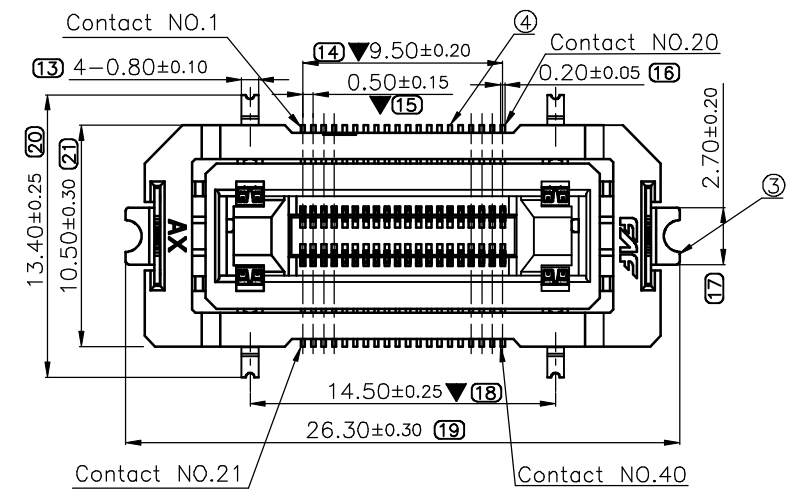
A3

REV	ECN NO	DESCRIPTION	DATE	APPD
X1	ECN1910***	INITIAL RELEASE	2019.09.26	BILL
X2	ECN1910***	INITIAL RELEASE	2019.10.10	BILL
X3	ECN1910047	INITIAL RELEASE	2019.10.30	BILL
X4	ECN2003***	INITIAL RELEASE	2020.03.03	BILL

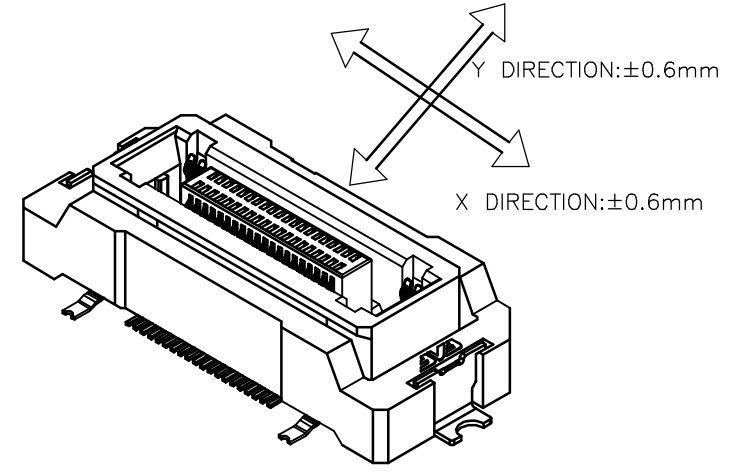
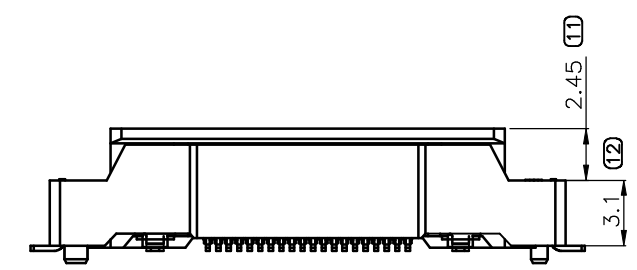


RECOMMENDED LAND PATTERN DIMENSION OF PCB
(PCB THICKNESS :T=0.7mm)

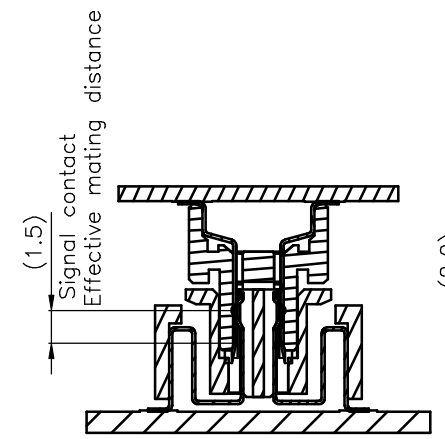
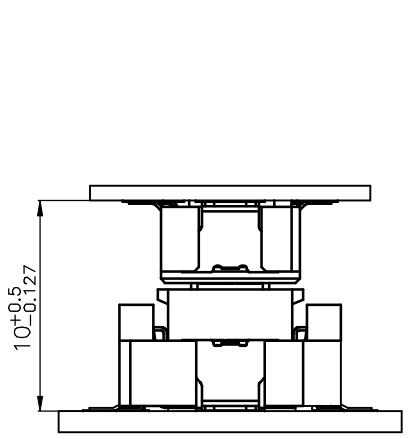
NOTE:
 1. Lead CO-Planarity is 0.1mm MAX
 2. Floating range of this connector is ±0.6mm.
 The maximum cycle time of floating operation is in accordance with the mating cycle of the connector
 3. It shows vacuum pickup area.
 Remove the mylar tape before mating connector
 4. Blemish and hit mark can be occurred through out the manufacturing process which doesn't affect quality level
 5. The dimensions of parentheses are for references
 6. The symbols for important control dimensions: ▼
 The symbols for key control dimensions: ▽
 The symbols for FAI dimensions: (**)



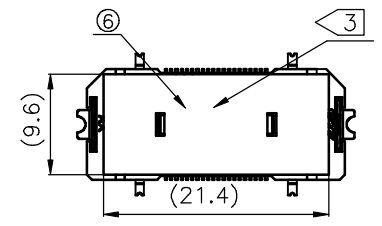
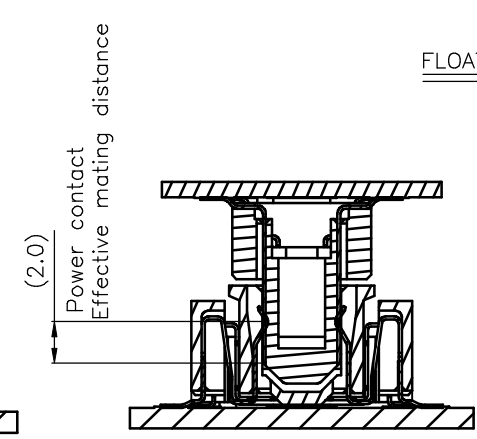
BACK VIEW
SCALE 1:1



FLOATING RANGE



CROSS SECTION OF MATING
SCALE 1:1



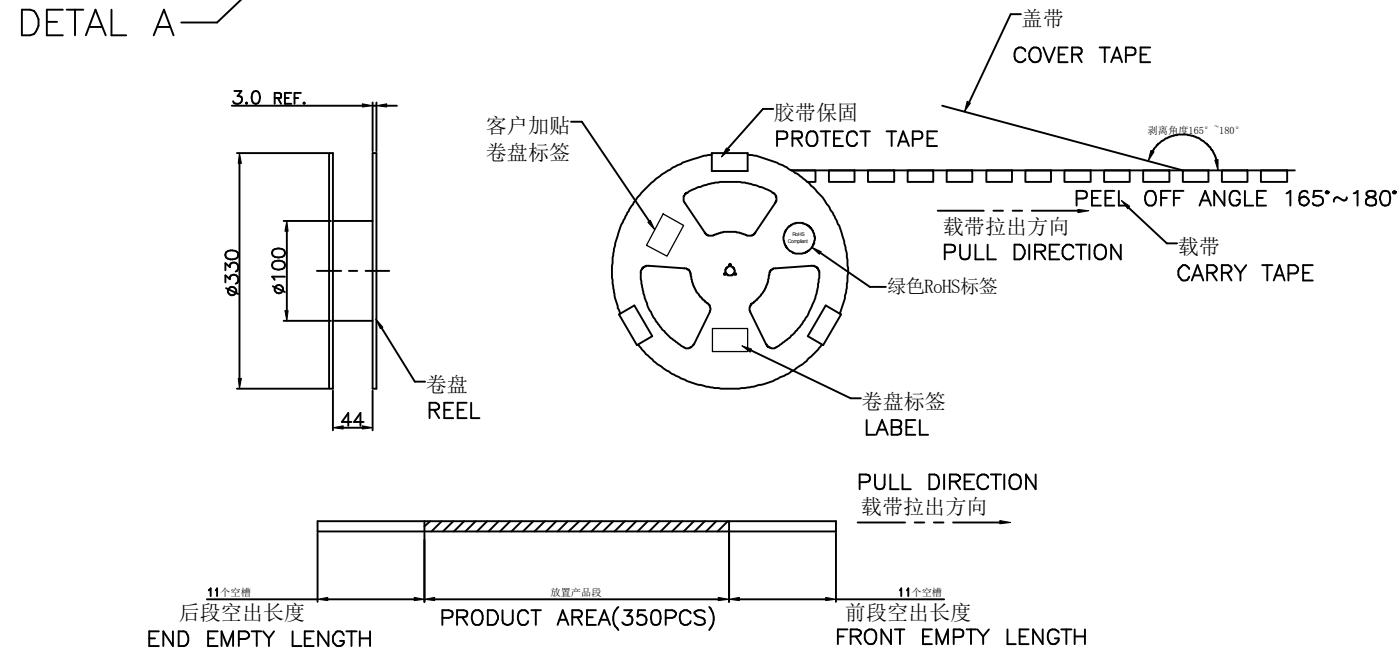
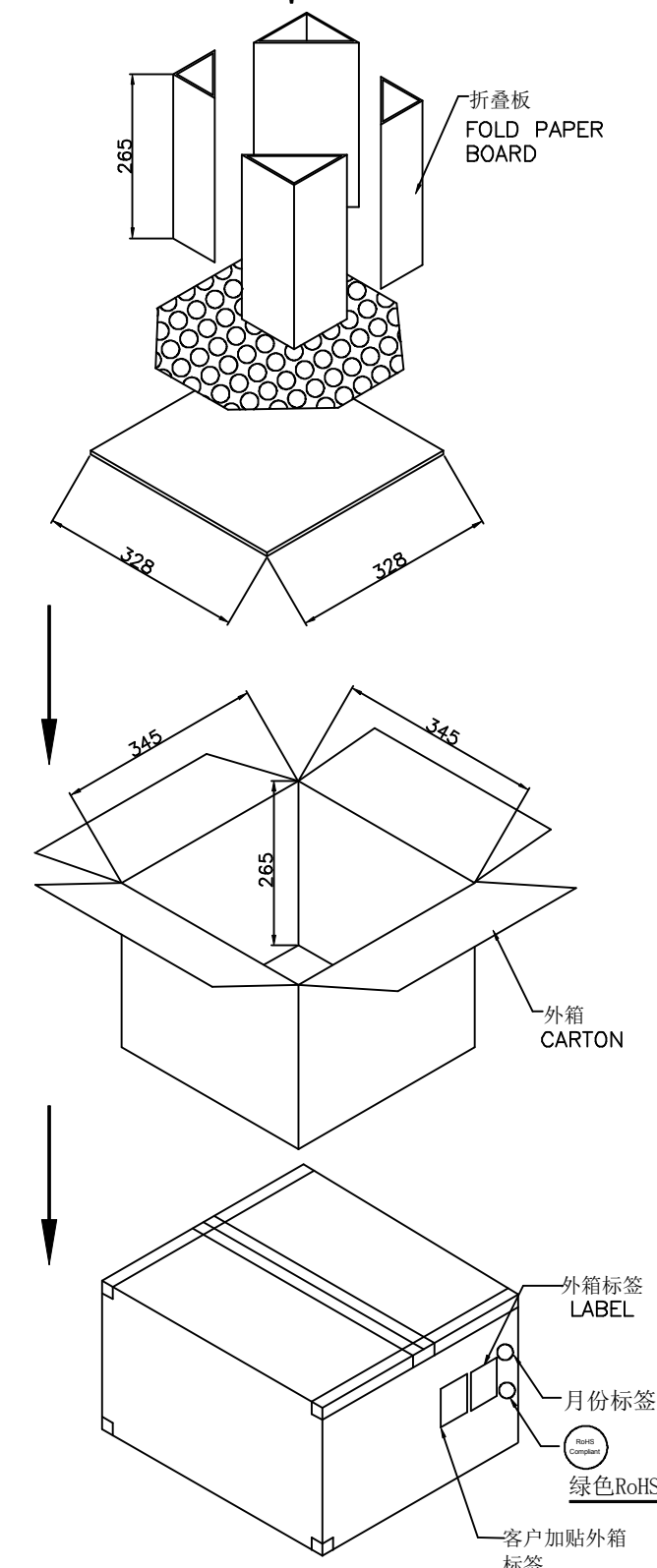
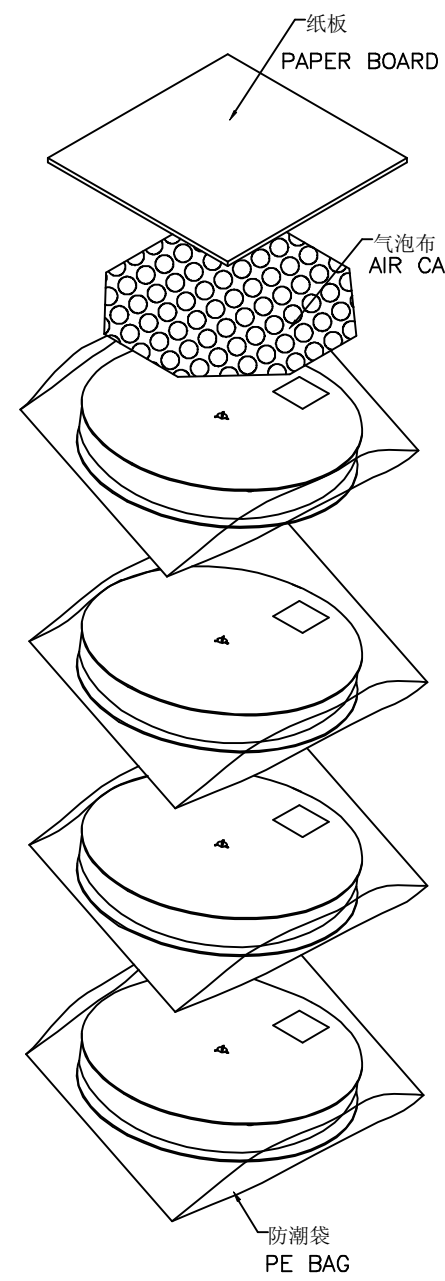
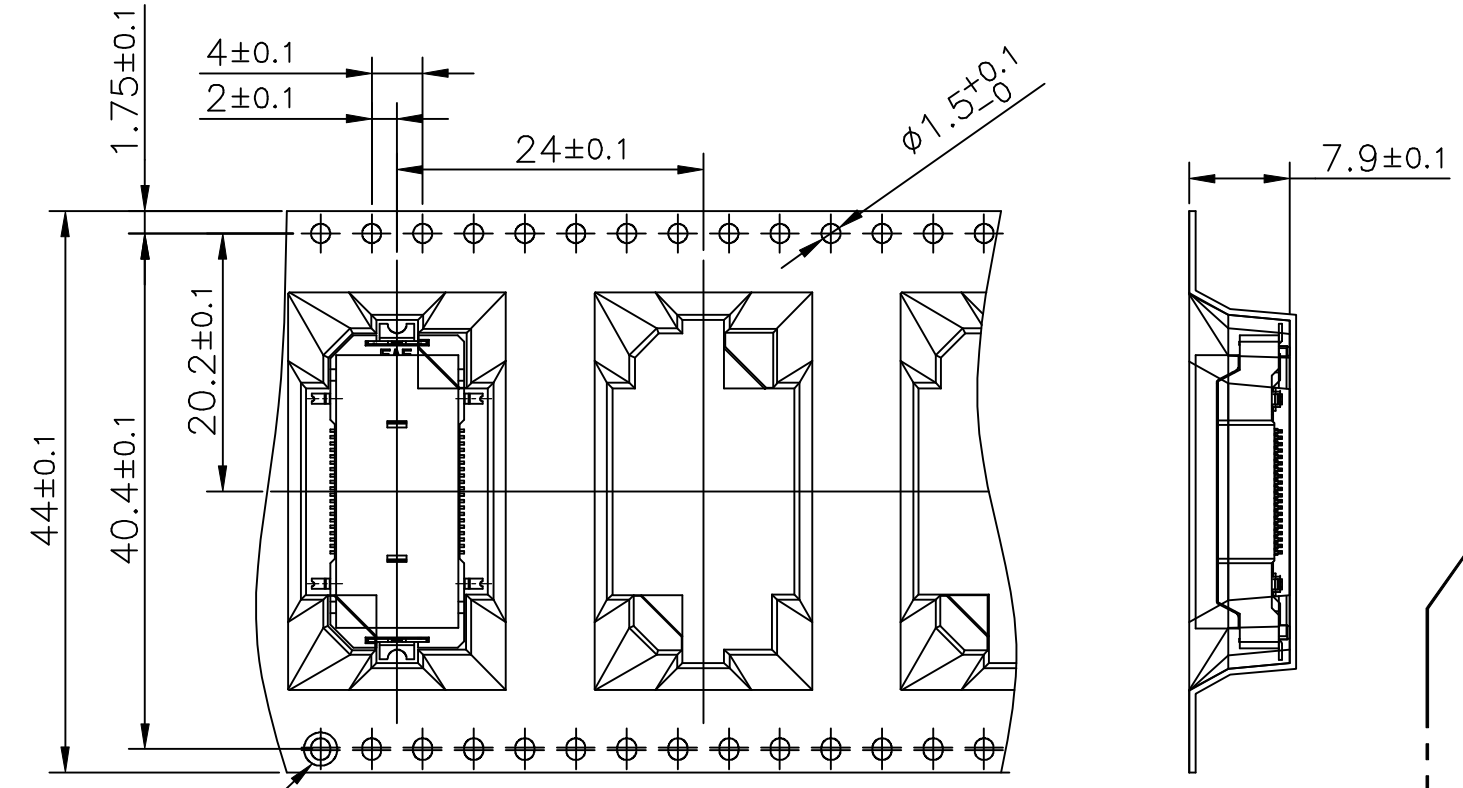
FRONT VIEW
SCALE 1:2

ITEM	DESCRIPTION	Q'TY	MATERIAL	FINISH
6	Cover	1	PA	(TAPE FOR VACUUM PICKUP)
5	Power Pin	4	BRONZE ALLOY	1.3um Min Ni PLATING OVERALL Contact Area:0.05um Min Au Lead Area:0.03um Min Au
4	TERMINAL	40	PHOSPHOR BRONZE	1.3um Min Ni PLATING OVERALL Contact Area:0.05um Min Au Lead Area:0.03um Min Au
3	PAD	2	BRASS	1um Min Tin PLATING OVERALL
2	HOUSING 2	1	PA	COLOR OF NATURAL,UL94 V-0
1	HOUSING 1	1	PA	COLOR OF NATURAL,UL94 V-0

EXTEND USE		TITLE			
0.5 Pitch BTB CONNECTOR		0.5 Pitch BTB Customer Drawing			
GENERAL TOLERANCE (C)		UNIT	mm	DWG NO	
DIMENSION		MATERIAL	APPD	C-5.058A0	
ANGLES		QTY	CHD	P/N:	
. ±0.30	. ±3'	FINISHED	DRN	5.058A0-040-1R0	
.0 ±0.25	.0 ±2'	White		SHEET	SCALE
.00 ±0.20	.00 ±1'	2020.03.03		1/1	1:1
.000 ±0.10				REV	X4

A3

REV	ECN NO	DESCRIPTION	DATE	APPD
X1	ECN1909***	INITIAL EDITION	2019.09.26	BILL
X2	ECN1910***	INITIAL EDITION	2019.10.10	BILL
X3	ECN1910047	INITIAL EDITION	2019.10.30	BILL
X4	ECN2030***	INITIAL EDITION	2020.03.03	BILL



11个空槽 后段空出长度 END EMPTY LENGTH 放置产品段 PRODUCT AREA(350PCS) 11个空槽 前段空出长度 FRONT EMPTY LENGTH

客户加贴外箱标签示意图	
供货名称	昆山嘉华电子有限公司
采购合同编号	(根据采购订单信息填写)
存货编码	207S40P1004R26
供应商料号	S.058A0-040-1R0
物料名称	嘉华表贴双排浮动式插座0.5 40P F
批次号	(包含内箱内的所有批次信息)
生产日期	
订单总数量	(根据采购订单信息填写数量) PCS
装箱(包)数量	1400PCS

1: 包装内容

料号 (P/N)	一卷包装数量 Q'TY/REEL	一箱包装数量 Q'TY/CARTON
5.058A0-040-1R0	350PCS	1400PCS

卷盘标签示意图	
LOT NO.:	(客户要求条形码)
Q'TY:	(数量条形码)
PART NO.:	(物料描述条形码)

客户加贴卷盘标签示意图	
供货名称	昆山嘉华电子有限公司
采购合同编号	(根据采购订单信息填写)
存货编码	207S40P1004R26
供应商料号	S.058A0-040-1R0
物料名称	嘉华表贴双排浮动式插座0.5 40P F
批次号	
生产日期	
订单总数量	(根据采购订单信息填写数量) PCS
装箱(包)数量	350PCS

厂内外箱标签	
LOT NO.:	(客户要求条形码)
Q'TY:	(数量条形码)
PART NO.:	(物料描述条形码)

EXTEND USE		TITLE		DWG NO	
0.5Pitch BTB CONNECTOR		5.058A0 CONNECTOR CUSTOMER PACKING		C-5.058A0-P	
GENERAL TOLERANCE		APPD		P/N:	
DIMENSION		Bill		5.058A0-040-1R0	
ANGLES		2020.03.03		SHEET	
.0 ±0.30		CHD		SCALE	
.0 ±0.25		DRN		1:1	
.00 ±0.20		White		REV	
.000 ±0.10		2020.03.03		X4	

